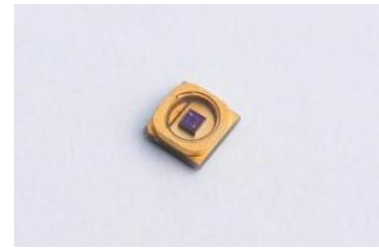


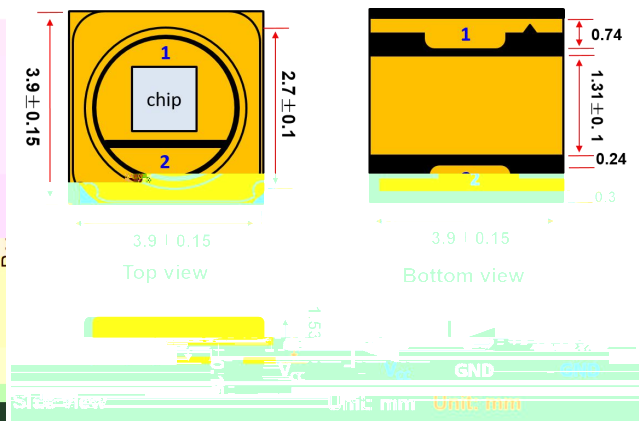
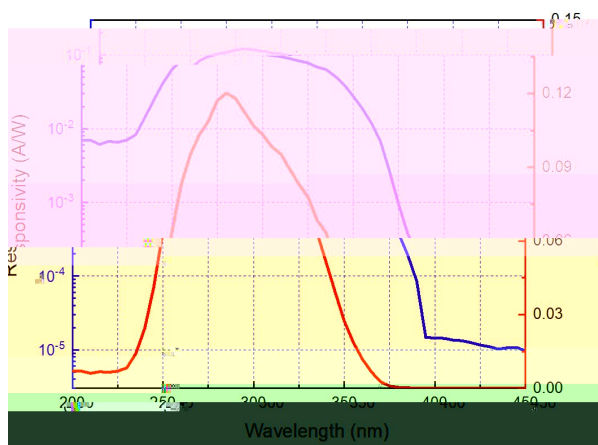


:

- UVA+UVB+UVC
 - P a c a
 - SMD 3535 c a c a c a a
 - G a b
 - H a a c
- a ca , a a a



O a a a	T	-25-100	C
S a a a	T	-40-110	C
S a (3)	T	260	C
R a	V- a	-20	V
C	A	1	2
Da c (V = -5 V)	I	<10	A
T a c c (@265)	T _c	0.065	%/ C
Ca ac a c (a 0 V a 1 MH)	C	97	F
Wa a		280	
P a (a 280)	R _a	0.12	A/W
S c a a (R=0.1 R _a)	-	230-360	
UV- b c a (R _a /R ₄₀₀)	-	>10 ⁴	-



M

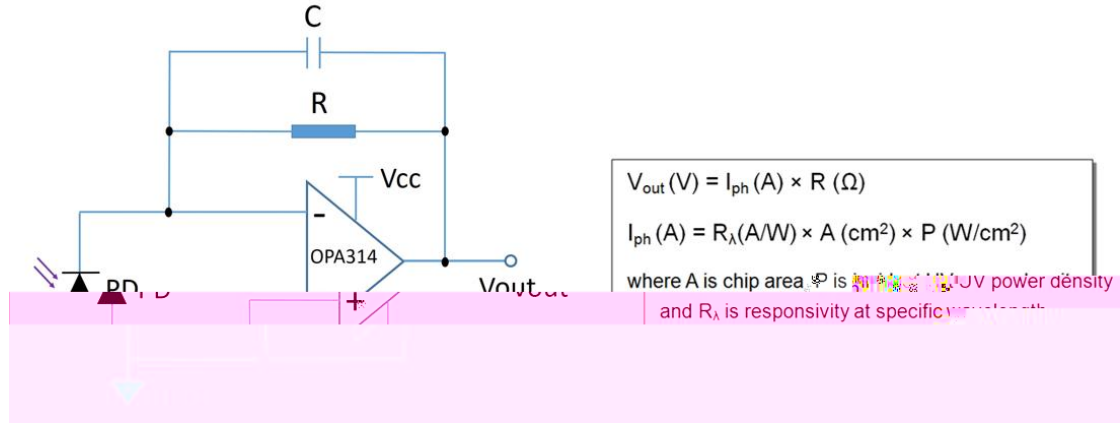
G N

I

C



:



A a c a a b a
 a a ca b a a . T
 a a b a a c a
 b SMD- a TO- ac a UV
 b GaN O . U c
 UV
 a a , b
 b a a .
 T a a b a a a a c a a c .
 D a ca a a c c a a a c a , c
 a b a c a . A a b a
 T UV a a b a a b a a a ac . A a
 ac a a a a c UV a , a ac
 a c ca PC c a . A bac c -USB
 a ac PC USB cab c c . U c a c ca
 a PC c c a a a a b a .
 F a a b a , a :// . a - .c , a ca
 b a , a a a a ab GaN O UV ca
 b .
 N :T b a a .
 M G N I C

